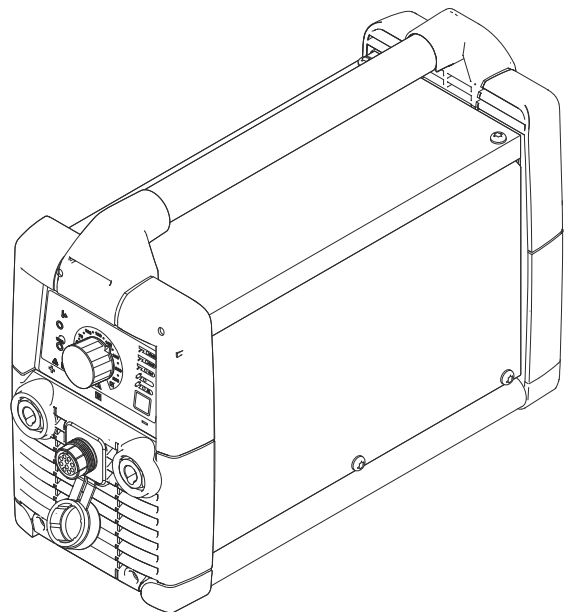


Operating Instructions

TransPocket 2500/3500
TransPocket 2500/3500 RC
TransPocket 2500/3500 TIG



EN | Operating Instructions



Contents

Safety rules.....	5
Explanation of safety notices	5
General.....	5
Proper use	6
Environmental conditions.....	6
Obligations of the operator.....	6
Obligations of personnel.....	6
Mains connection.....	7
Residual current protective device.....	7
Protecting yourself and others.....	7
Noise emission values	8
Danger from toxic gases and vapours.....	8
Danger from flying sparks	9
Risks from mains current and welding current.....	9
Meandering welding currents	10
EMC Device Classifications.....	10
EMC measures.....	11
EMF measures.....	11
Specific hazards.....	11
Requirement for the shielding gas.....	12
Danger from shielding gas cylinders.....	13
Safety measures at the installation location and during transport.....	13
Safety measures in normal operation.....	14
Commissioning, maintenance and repair.....	14
Safety inspection.....	15
Disposal.....	15
Safety symbols.....	15
Data protection	16
Copyright.....	16
General.....	17
Principle.....	17
Device concept.....	17
Application areas.....	17
Control elements and connections.....	18
Safety	18
Connections.....	18
Operating elements.....	19
Before commissioning	21
Safety	21
Proper use	21
Setup regulations	21
Mains connection.....	21
Changing mains voltage (only MVm versions).....	23
General remarks	23
Mains voltage tolerance range.....	23
Changing mains voltage	23
Single-phase operation	24
MMA welding	25
Safety	25
Preparations.....	25
Selecting the process.....	25
Adjusting welding current, igniting the arc	25
HotStart function (used with rutile and Cel processes)	26
SoftStart function (used with basic process).....	26
Anti-stick function	26
TIG welding.....	27
Safety	27
General.....	27
Preparations.....	27
Setting the shielding gas flow rate.....	28

Selecting the process.....	28
Adjusting welding current, igniting the arc	28
TIG Comfort Stop function	29
The Setup menu.....	31
Setting options.....	31
Functional principle	31
Setting parameters	31
Arc-force dynamic parameter	32
Cel characteristic parameter	32
TIG Comfort Stop parameter.....	32
Pulsing frequency parameter	33
Voltage Reduction Device (VRD versions only)	34
General.....	34
Safety principle.....	34
Troubleshooting	35
Safety	35
Fault diagnosis.....	35
Status indicators.....	37
Care, maintenance and disposal	39
General.....	39
At every start-up.....	39
Every 2 months.....	39
Every 6 months	39
Disposal.....	39
Average consumption values during welding.....	40
Average wire electrode consumption during MIG/MAG welding.....	40
Average shielding gas consumption during MIG/MAG welding	40
Average shielding gas consumption during TIG welding	40
Technical data.....	41
Safety	41
Generator-powered operation.....	41
TransPocket 2500, 2500 RC, 2500 TIG.....	41
TransPocket 2500 MVm, 2500 TIG MVm	42
TransPocket 3500, 3500 RC, 3500 TIG.....	43
TransPocket 3500 MVm, 3500 TIG MVm	44
Overview with critical raw materials, year of production of the device.....	45

Safety rules

Explanation of safety notices

DANGER!

Indicates immediate danger.

- ▶ If not avoided, death or serious injury will result.

WARNING!

Indicates a potentially hazardous situation.

- ▶ If not avoided, death or serious injury may result.

CAUTION!

Indicates a situation where damage or injury could occur.

- ▶ If not avoided, minor injury and/or damage to property may result.

NOTE!

Indicates a risk of flawed results and possible damage to the equipment.

General

The device is manufactured using state-of-the-art technology and according to recognised safety standards. If used incorrectly or misused, however, it can cause:

- injury or death to the operator or a third party,
- damage to the device and other material assets belonging to the operating company,
- inefficient operation of the device.

All persons involved in commissioning, operating, maintaining and servicing the device must:

- be suitably qualified,
- have sufficient knowledge of welding and
- read and follow these operating instructions carefully.

The operating instructions must always be at hand wherever the device is being used. In addition to the operating instructions, attention must also be paid to any generally applicable and local regulations regarding accident prevention and environmental protection.

All safety and danger notices on the device

- must be in a legible state,
- must not be damaged,
- must not be removed,
- must not be covered, pasted or painted over.

For the location of the safety and danger notices on the device, refer to the section headed "General" in the operating instructions for the device.

Before switching on the device, rectify any faults that could compromise safety.

This is for your personal safety!

Proper use

The device is to be used exclusively for its intended purpose.

The device is intended solely for the welding processes specified on the rating plate.

Any use above and beyond this purpose is deemed improper. The manufacturer shall not be held liable for any damage arising from such usage.

Proper use includes:

- carefully reading and following all the instructions given in the operating instructions
- studying and obeying all safety and danger notices carefully
- performing all stipulated inspection and maintenance work.

Never use the device for the following purposes:

- Thawing out pipes
- Charging batteries
- Starting engines

The device is designed for use in industry and the workshop. The manufacturer accepts no responsibility for any damage caused through use in a domestic setting.

The manufacturer likewise accepts no liability for inadequate or incorrect results.

Environmental conditions

Operation or storage of the device outside the stipulated area will be deemed as not in accordance with the intended purpose. The manufacturer shall not be held liable for any damage arising from such usage.

Ambient temperature range:

- during operation: -10 °C to + 40 °C (14 °F to 104 °F)
- during transport and storage: -20 °C to +55 °C (-4 °F to 131 °F)

Relative humidity:

- up to 50% at 40 °C (104 °F)
- up to 90% at 20 °C (68 °F)

The surrounding air must be free from dust, acids, corrosive gases or substances, etc.

Can be used at altitudes of up to 2000 m (6561 ft. 8.16 in.)

Obligations of the operator

The operator must only allow persons to work with the device who:

- are familiar with the fundamental instructions regarding safety at work and accident prevention and have been instructed in how to use the device
- have read and understood these operating instructions, especially the section "safety rules", and have confirmed as much with their signatures
- are trained to produce the required results.

Checks must be carried out at regular intervals to ensure that operators are working in a safety-conscious manner.

Obligations of personnel

Before using the device, all persons instructed to do so undertake:

- to observe the basic instructions regarding safety at work and accident prevention
 - to read these operating instructions, especially the "Safety rules" section and sign to confirm that they have understood them and will follow them.
-

Before leaving the workplace, ensure that people or property cannot come to any harm in your absence.

Mains connection

Devices with a higher rating may affect the energy quality of the mains due to their current consumption.

This may affect a number device types in terms of:

- Connection restrictions
- Criteria with regard to the maximum permissible mains impedance ^{*)}
- Criteria with regard to the minimum short-circuit power requirement ^{*)}

^{*)} at the interface with the public grid
see "Technical data"

In this case, the plant operator or the person using the device should check whether the device may be connected, where appropriate by discussing the matter with the power supply company.

IMPORTANT! Ensure that the mains connection is earthed properly

Residual current protective device

Local regulations and national guidelines may require a residual current protective device when connecting equipment to the public grid.

The type of residual current protective device recommended by the manufacturer for the equipment is indicated in the technical data.

Protecting yourself and others

Anyone working with the device exposes themselves to numerous risks, e.g.

- flying sparks and hot pieces of metal
- Arc radiation, which can damage eyes and skin
- Hazardous electromagnetic fields, which can endanger the lives of those using cardiac pacemakers
- Risk of electrocution from mains current and welding current
- Greater noise pollution
- Harmful welding fumes and gases

Suitable protective clothing must be worn when working with the device. The protective clothing must have the following properties:

- Flame-resistant
- Insulating and dry
- Covers the whole body, is undamaged and in good condition
- Safety helmet
- Trousers with no turn-ups

Protective clothing refers to a variety of different items. Operators should:

- Protect eyes and face from UV rays, heat and sparks using a protective visor and regulation filter
- Wear regulation protective goggles with side protection behind the protective visor
- Wear stout footwear that provides insulation even in wet conditions
- Protect the hands with suitable gloves (electrically insulated and providing protection against heat)
- Wear ear protection to reduce the harmful effects of noise and to prevent injury

Keep all persons, especially children, out of the working area while any devices are in operation or welding is in progress. If, however, there are people in the vicinity:

- Make them aware of all the dangers (risk of dazzling by the arc, injury from flying sparks, harmful welding fumes, noise, possible risks from mains current and welding current, etc.)
- Provide suitable protective equipment
- Alternatively, erect suitable safety screens/curtains.

Noise emission values

The device generates a maximum sound power level of <80 dB(A) (ref. 1pW) when idling and in the cooling phase following operation at the maximum permissible operating point under maximum rated load conditions according to EN 60974-1.

It is not possible to provide a workplace-related emission value during welding (or cutting) as this is influenced by both the process and the environment. All manner of different welding parameters come into play, including the welding process (MIG/MAG, TIG welding), the type of power selected (DC or AC), the power range, the type of weld metal, the resonance characteristics of the workpiece, the workplace environment, etc.

Danger from toxic gases and vapours

The fumes produced during welding contain harmful gases and vapours.

Welding fumes contain substances that cause cancer, as stated in Monograph 118 of the International Agency for Research on Cancer.

Use at-source extraction and a room extraction system.
If necessary, use a welding torch with an integrated extraction device.

Keep your face away from welding fumes and gases.

Fumes and hazardous gases

- must not be breathed in
- must be extracted from the working area using appropriate methods.

Ensure an adequate supply of fresh air. Ensure that there is a ventilation rate of at least 20 m³ per hour at all times.

Otherwise, a welding helmet with an air supply must be worn.

If there is any doubt about whether the extraction capacity is sufficient, the measured toxic emission values should be compared with the permissible limit values.

The following components are responsible, amongst other things, for the degree of toxicity of welding fumes:

- Metals used for the workpiece
- Electrodes
- Coatings
- Cleaners, degreasers, etc.
- Welding process used

The relevant material safety data sheets and manufacturer's specifications for the listed components should therefore be studied carefully.

Recommendations for trade fair scenarios, risk management measures and for identifying working conditions can be found on the European Welding Association website under Health & Safety (<https://european-welding.org>).

Flammable vapours (e.g. solvent fumes) should be kept away from the arc's radiation area.

Close the shielding gas cylinder valve or main gas supply if no welding is taking place.

Danger from flying sparks

Flying sparks may cause fires or explosions.

Never weld close to flammable materials.

Flammable materials must be at least 11 metres (36 ft. 1.07 in.) away from the arc, or alternatively covered with an approved cover.

A suitable, tested fire extinguisher must be available and ready for use.

Sparks and pieces of hot metal may also get into adjacent areas through small gaps or openings. Take appropriate precautions to prevent any danger of injury or fire.

Welding must not be performed in areas that are subject to fire or explosion or near sealed tanks, vessels or pipes unless these have been prepared in accordance with the relevant national and international standards.

Do not carry out welding on containers that are being or have been used to store gases, propellants, mineral oils or similar products. Residues pose an explosive hazard.

Risks from mains current and welding current

An electric shock is potentially life threatening and can be fatal.

Do not touch live parts either inside or outside the device.

During MIG/MAG welding and TIG welding, the welding wire, the wirespool, the feed rollers and all pieces of metal that are in contact with the welding wire are live.

Always set the wirefeeder up on a sufficiently insulated surface or use a suitable, insulated wirefeeder holder.

Make sure that you and others are protected with an adequately insulated, dry base or cover for the earth or ground potential. This base or cover must extend over the entire area between the body and the earth or ground potential.

All cables and leads must be secured, undamaged, insulated and adequately dimensioned. Replace loose connections and scorched, damaged, or inadequately dimensioned cables and leads immediately.

Use the handle to ensure the power connections are tight before every use. In the case of power cables with a bayonet connector, rotate the power cable around the longitudinal axis by at least 180° and pretension.

Do not wrap cables or leads around the body or parts of the body.

The electrode (rod electrode, tungsten electrode, welding wire, etc.) must

- never be immersed in liquid for cooling
- Never touch the electrode when the power source is switched on.

Double the open circuit voltage of a power source can occur between the welding electrodes of two power sources. Touching the potentials of both electrodes at the same time may be fatal under certain circumstances.

Arrange for the mains cable to be checked regularly by a qualified electrician to ensure the ground conductor is functioning properly.

Protection class I devices require a mains supply with ground conductor and a connector system with ground conductor contact for proper operation.

Operation of the device on a mains supply without ground conductor and on a socket without ground conductor contact is only permitted if all national regulations for protective separation are observed.

Otherwise, this is considered gross negligence. The manufacturer shall not be held liable for any damage arising from such usage.

If necessary, provide adequate earthing for the workpiece.

Switch off unused devices.

Wear a safety harness if working at height.

Before working on the device, switch it off and pull out the mains plug.

Attach a clearly legible and easy-to-understand warning sign to the device to prevent anyone from plugging the mains plug back in and switching it on again.

After opening the device:

- Discharge all live components
 - Ensure that all components in the device are de-energised.
-

If work on live parts is required, appoint a second person to switch off the main switch at the right moment.

Meandering welding currents

If the following instructions are ignored, meandering welding currents can develop with the following consequences:

- Fire hazard
 - Overheating of parts connected to the workpiece
 - Damage to ground conductors
 - Damage to device and other electrical equipment
-

Ensure that the workpiece is held securely by the workpiece clamp.

Attach the workpiece clamp as close as possible to the area that is to be welded.

Position the device with sufficient insulation against electrically conductive environments, such as insulation against conductive floor or insulation to conductive racks.

If power distribution boards, twin-head mounts, etc., are being used, note the following: The electrode of the welding torch / electrode holder that is not used is also live. Make sure that the welding torch / electrode holder that is not used is kept sufficiently insulated.

In the case of automated MIG/MAG applications, ensure that only an insulated wire electrode is routed from the welding wire drum, large wirefeeder spool or wirespool to the wirefeeder.

EMC Device Classifications

Devices in emission class A:

- Are only designed for use in industrial settings
 - Can cause line-bound and radiated interference in other areas
-

Devices in emission class B:

- Satisfy the emissions criteria for residential and industrial areas. This is also true for residential areas in which the energy is supplied from the public low-voltage mains.
-

EMC measures

In certain cases, even though a device complies with the standard limit values for emissions, it may affect the application area for which it was designed (e.g. when there is sensitive equipment at the same location, or if the site where the device is installed is close to either radio or television receivers).

If this is the case, then the operator is obliged to take appropriate action to rectify the situation.

Check and evaluate the immunity to interference of nearby devices according to national and international regulations. Examples of equipment that may be susceptible to interference from the device include:

- Safety devices
- Network, signal and data transfer lines
- IT and telecommunications devices
- Measuring and calibrating devices

Supporting measures for avoidance of EMC problems:

1. Mains supply
 - If electromagnetic interference arises despite the correct mains connection, additional measures are necessary (e.g. use of a suitable line filter)
2. Welding power-leads
 - must be kept as short as possible
 - must be laid close together (to avoid EMF problems)
 - must be kept well apart from other leads
3. Equipotential bonding
4. Earthing of the workpiece
 - If necessary, establish an earth connection using suitable capacitors.
5. Shield, if necessary
 - Shield other devices nearby
 - Shield the entire welding installation

EMF measures

Electromagnetic fields may pose as yet unknown risks to health:

- Effects on the health of persons in the vicinity, e.g. those with pacemakers and hearing aids
- Individuals with pacemakers must seek advice from their doctor before approaching the device or any welding that is in progress
- For safety reasons, maintain as large a distance as possible between the welding power-leads and the head/torso of the welder
- Do not carry welding power-leads and hosepacks over the shoulders or wind them around any part of the body

Specific hazards

Keep hands, hair, clothing and tools away from moving parts. For example:

- Fans
- Cogs
- Rollers
- Shafts
- Wirespools and welding wires

Do not reach into the rotating cogs of the wire drive or into rotating drive components.

Covers and side panels may only be opened/removed while maintenance or repair work is being carried out.

During operation

- Ensure that all covers are closed and all side panels are fitted properly.
- Keep all covers and side panels closed.

The welding wire emerging from the welding torch poses a high risk of injury (piercing of the hand, injuries to the face and eyes, etc.).

Therefore, always keep the welding torch away from the body (devices with wirefeeder) and wear suitable protective goggles.

Never touch the workpiece during or after welding - risk of burns.

Slag can jump off cooling workpieces. The specified protective equipment must therefore also be worn when reworking workpieces, and steps must be taken to ensure that other people are also adequately protected.

Welding torches and other parts with a high operating temperature must be allowed to cool down before handling.

Special provisions apply in areas at risk of fire or explosion

- observe relevant national and international regulations.

Power sources for work in areas with increased electric risk (e.g. near boilers) must carry the "Safety" sign. However, the power source must not be located in such areas.

Risk of scalding from escaping coolant. Switch off cooling unit before disconnecting coolant flow or return lines.

Observe the information on the coolant safety data sheet when handling coolant. The coolant safety data sheet may be obtained from your service centre or downloaded from the manufacturer's website.

Use only suitable load-carrying equipment supplied by the manufacturer when transporting devices by crane.

- Hook chains or ropes onto all suspension points provided on the load-carrying equipment.
- Chains and ropes must be at the smallest angle possible to the vertical.
- Remove gas cylinder and wirefeeder (MIG/MAG and TIG devices).

If the wirefeeder is attached to a crane holder during welding, always use a suitable, insulated wirefeeder hoisting attachment (MIG/MAG and TIG devices).

If the device has a carrying strap or handle, this is intended solely for carrying by hand. The carrying strap is not to be used if transporting with a crane, counter-balanced lift truck or other mechanical hoist.

All lifting tackle (straps, handles, chains, etc.) used in connection with the device or its components must be tested regularly (e.g. for mechanical damage, corrosion or changes caused by other environmental factors).

The testing interval and scope of testing must comply with applicable national standards and directives as a minimum.

Odourless and colourless shielding gas may escape unnoticed if an adapter is used for the shielding gas connection. Prior to assembly, seal the device-side thread of the adapter for the shielding gas connection using suitable Teflon tape.

Requirement for the shielding gas

Especially with ring lines, contaminated shielding gas can cause damage to equipment and reduce welding quality.

Meet the following requirements regarding shielding gas quality:

- Solid particle size < 40 µm
- Pressure condensation point < -20 °C
- Max. oil content < 25 mg/m³

Use filters if necessary.

Danger from shielding gas cylinders

Shielding gas cylinders contain gas under pressure and can explode if damaged. As the shielding gas cylinders are part of the welding equipment, they must be handled with the greatest of care.

Protect shielding gas cylinders containing compressed gas from excessive heat, mechanical impact, slag, naked flames, sparks and arcs.

Mount the shielding gas cylinders vertically and secure according to instructions to prevent them falling over.

Keep the shielding gas cylinders well away from any welding or other electrical circuits.

Never hang a welding torch on a shielding gas cylinder.

Never touch a shielding gas cylinder with an electrode.

Risk of explosion - never attempt to weld a pressurised shielding gas cylinder.

Only use shielding gas cylinders suitable for the application in hand, along with the correct and appropriate accessories (regulator, hoses and fittings). Only use shielding gas cylinders and accessories that are in good condition.

Turn your face to one side when opening the valve of a shielding gas cylinder.

Close the shielding gas cylinder valve if no welding is taking place.

If the shielding gas cylinder is not connected, leave the valve cap in place on the cylinder.

The manufacturer's instructions must be observed as well as applicable national and international regulations for shielding gas cylinders and accessories.

Safety measures at the installation location and during transport

A device toppling over could easily kill someone. Place the device on a solid, level surface such that it remains stable

- The maximum permissible tilt angle is 10°.

Special regulations apply in rooms at risk of fire or explosion

- Observe relevant national and international regulations.

Use internal directives and checks to ensure that the workplace environment is always clean and clearly laid out.

Only set up and operate the device in accordance with the degree of protection shown on the rating plate.

When setting up the device, ensure there is an all-round clearance of 0.5 m (1 ft. 7.69 in.) to ensure that cooling air can flow in and out freely.

When transporting the device, observe the relevant national and local guidelines and accident prevention regulations. This applies especially to guidelines regarding the risks arising during transport.

Do not lift or transport operational devices. Switch off devices before transport or lifting.

Before transporting the device, allow coolant to drain completely and detach the following components:

- Wirefeeder
 - Wirespool
 - Shielding gas cylinder
-

After transporting the device, the device must be visually inspected for damage before commissioning. Any damage must be repaired by trained service technicians before commissioning the device.

Safety measures in normal operation

Only operate the device when all safety devices are fully functional. If the safety devices are not fully functional, there is a risk of

- injury or death to the operator or a third party
 - damage to the device and other material assets belonging to the operator
 - inefficient operation of the device
-

Any safety devices that are not functioning properly must be repaired before switching on the device.

Never bypass or disable safety devices.

Before switching on the device, ensure that no one is likely to be endangered.

Check the device at least once a week for obvious damage and proper functioning of safety devices.

Always fasten the shielding gas cylinder securely and remove it beforehand if the device is to be transported by crane.

Only the manufacturer's original coolant is suitable for use with our devices due to its properties (electrical conductivity, anti-freeze agent, material compatibility, flammability, etc.).

Only use suitable original coolant from the manufacturer.

Do not mix the manufacturer's original coolant with other coolants.

Only connect the manufacturer's system components to the cooling circuit.

The manufacturer accepts no liability for damage resulting from use of other system components or a different coolant. In addition, all warranty claims will be forfeited.

Cooling Liquid FCL 10/20 does not ignite. The ethanol-based coolant can ignite under certain conditions. Transport the coolant only in its original, sealed containers and keep well away from any sources of ignition.

Used coolant must be disposed of properly in accordance with the relevant national and international regulations. The coolant safety data sheet may be obtained from your service centre or downloaded from the manufacturer's website.

Check the coolant level before starting to weld, while the system is still cool.

Commissioning, maintenance and repair

It is impossible to guarantee that bought-in parts are designed and manufactured to meet the demands made of them, or that they satisfy safety requirements.

- Use only original spare and wearing parts (also applies to standard parts).
- Do not carry out any modifications, alterations, etc. to the device without the manufacturer's consent.
- Components that are not in perfect condition must be replaced immediately.
- When ordering, please give the exact designation and part number as shown in the spare parts list, as well as the serial number of your device.

The housing screws provide the ground conductor connection for earthing the housing parts.

Only use original housing screws in the correct number and tightened to the specified torque.

Safety inspection

The manufacturer recommends that a safety inspection of the device is performed at least once every 12 months.

The manufacturer recommends that the power source be calibrated during the same 12-month period.

A safety inspection should be carried out by a qualified electrician

- after any changes are made
- after any additional parts are installed, or after any conversions
- after repair, care and maintenance has been carried out
- at least every twelve months.

For safety inspections, follow the appropriate national and international standards and directives.

Further details on safety inspection and calibration can be obtained from your service centre. They will provide you on request with any documents you may require.

Disposal

Waste electrical and electronic equipment must be collected separately and recycled in an environmentally responsible manner in accordance with the EU Directive and national law. Used equipment must be returned to the distributor or through a local, authorised collection and disposal system. Proper disposal of the old device promotes sustainable recycling of material resources. Ignoring this may lead to potential health/environmental impacts.

Packaging materials

Collected separately. Check your municipality's regulations. Reduce the volume of the box.

Safety symbols

Devices with the CE mark satisfy the essential requirements of the low-voltage and electromagnetic compatibility directives (e.g. relevant product standards of the EN 60 974 series).

Fronius International GmbH hereby declares that the device is compliant with Directive 2014/53/EU. The full text on the EU Declaration of Conformity can be found at the following address: <http://www.fronius.com>

Devices marked with the CSA test mark satisfy the requirements of the relevant standards for Canada and the USA.

Data protection The user is responsible for the safekeeping of any changes made to the factory settings. The manufacturer accepts no liability for any deleted personal settings.

Copyright Copyright of these operating instructions remains with the manufacturer.

The text and illustrations are all technically correct at the time of printing. We reserve the right to make changes. The contents of the operating instructions shall not provide the basis for any claims whatsoever on the part of the purchaser. If you have any suggestions for improvement, or can point out any mistakes that you have found in the instructions, we will be most grateful for your comments.

Principle



TP 2500 welding system

The TP 2500 and TP 3500 power sources are a further highlight of the new generation of inverter power sources. Using powerful electronics, a unique high-performance, lightweight welding system has been created.

The power source works on resonance inverter principles and therefore offers a number of advantages:

- Intelligent control for stable arc and ideal characteristic
- Excellent ignition and weld properties, extremely lightweight and with a very small footprint
- High switching frequencies and optimum efficiency

An electronic adjuster adapts the power source characteristic to suit the welding electrode. Selectable modes provide perfect welding results when using rutile electrodes, basic electrodes or cellulose electrodes (CEL).

Device concept

All versions of the TP 2500/3500 power source are small and compact, yet at the same time so robust that they will function reliably even under harsh conditions. A powder-coated sheet steel housing with stainless steel runners, controls and connection sockets (with bayonet fixing) protected by a plastic frame satisfy the highest demands. The handle facilitates easy transportation, both in-house or on-site.

In addition to the many features of the standard TP 2500/3500 power source, the TP 2500/3500 RC, TP 2500/3500 TIG, TP 2500/3500 VRD and TP 2500/3500 MVM versions offer a further raft of options.

Application areas

In addition to manual metal arc welding, the systems in the TP 2500/3500 series also offer convenient functions for TIG welding, e.g. touchdown ignition and the practical TIG Comfort Stop (TCS). The TP 2500/3500 TIG also has the TIG pulsed arc welding mode.

Thanks to their small dimensions, the machines in the TP 2500/3500 series are especially well suited to portable use on building sites and for assembly work. But even when used as stationary units in workshops or industrial facilities, the machines are powerful and economical alternatives.

Control elements and connections

Safety

WARNING!

Danger from incorrect operation and work that is not carried out properly.

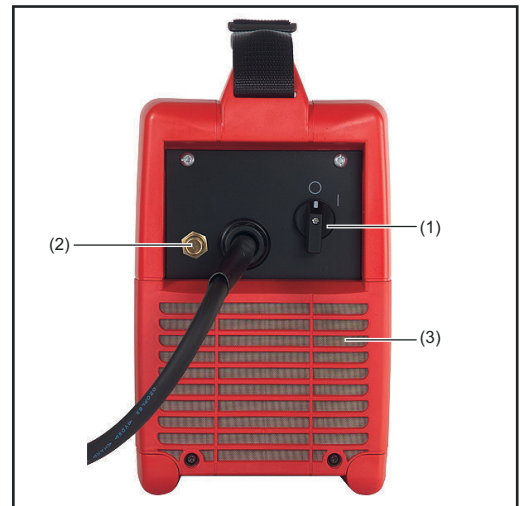
This can result in serious personal injury and damage to property.

- ▶ All the work and functions described in this document must only be carried out by technically trained and qualified personnel.
- ▶ Read and understand this document in full.
- ▶ Read and understand all safety rules and user documentation for this device and all system components.

As a result of software updates, you may find that there are functions available on your device that are not described in these Operating Instructions, or vice versa.

Certain illustrations may also differ slightly from the actual controls on your device, but these controls function in exactly the same way.

Connections



Controls and connections on the front and back of the machine

(1) Mains switch

(2) Shielding gas connection socket (TP 2500/3500 TIG only)

For connecting the gas hose

(3) Dust filter

Where the fan draws in air

- Prevents contamination of the housing interior if large amounts of dust have accumulated

NOTE!

The manufacturer strongly recommends that a dust filter be used with the power source.

(4) (+) current socket with bayonet latch

For connecting the:

- Rod electrode or grounding cable for manual metal arc (MMA) welding, depending on the type of electrode being used
- Grounding cable for TIG welding

(5) (-) current socket with bayonet latch

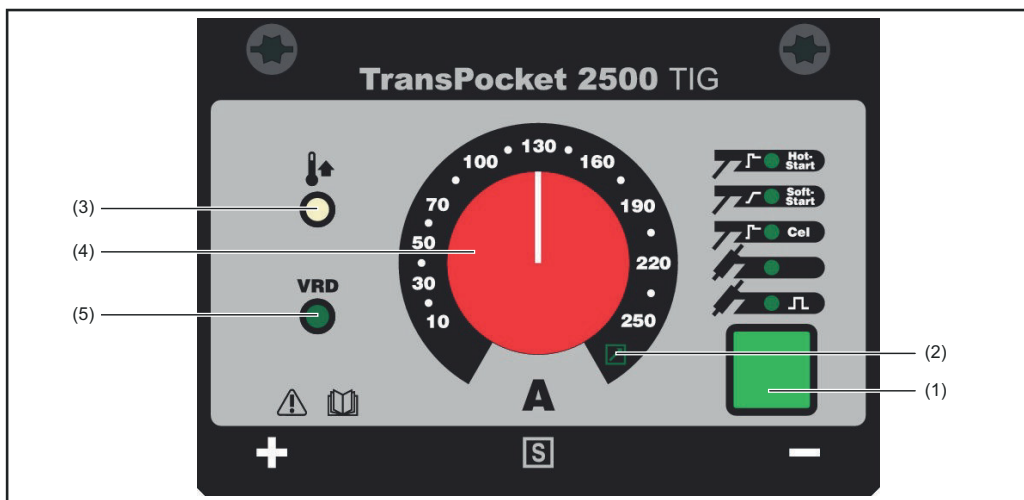
For connecting the:

- Rod electrode or grounding cable for manual metal arc (MMA) welding, depending on the type of electrode being used
- Welding torch in TIG welding (current connection)

(6) Remote control connection socket

For connecting a remote control

Operating elements



Controls and indicators on the control panel

(1) "Process" button

For selecting the welding process

- Manual metal arc welding with HotStart function (recommended for rutile electrode)
- Manual metal arc welding with SoftStart function (recommended for basic electrode)
- MMA welding with Cel electrode
- TIG welding
- TIG pulsed arc welding (TP 2500/3500 TIG only)

IMPORTANT! The selected welding process remains in memory even after the mains plug is disconnected.

(2) Remote control indicator

Lights up when a remote control is connected

(3) Error indicator

Lights up if the device is too hot

(4) Welding current adjuster

For continuously adjusting the welding current

(5) VRD indicator

- Lights up green when the Voltage Reduction Device (VRD) is active and the open circuit voltage is less than 35 V

- Lights up red when the Voltage Reduction Device (VRD) is active and the open circuit voltage is greater than 35 V
 - Does not light up if an open circuit voltage outside the VRD range is set
-

Before commissioning

Safety



WARNING!

Danger from incorrect operation and work that is not carried out properly.

This can result in serious personal injury and damage to property.

- ▶ All the work and functions described in this document must only be carried out by technically trained and qualified personnel.
- ▶ Read and understand this document in full.
- ▶ Read and understand all safety rules and user documentation for this device and all system components.

Proper use

The power source is intended exclusively for MMA welding and TIG welding in conjunction with system components from Fronius.

Utilisation for any other purpose, or in any other manner, shall be deemed to be not in accordance with the intended purpose.

The manufacturer shall not be held liable for any damages arising from such usage.

Proper use also includes:

- carefully reading these operating instructions
- following all the instructions and safety rules in these operating instructions
- performing all stipulated inspection and maintenance work

Setup regulations



WARNING!

Danger from machines toppling over or falling.

This can result in serious personal injury and damage to property.

- ▶ Set up the device securely on an even, solid surface.
- ▶ Check all screw connections are tightly fastened after installation.

The device is tested to IP 23 protection, meaning:

- Protection against penetration by solid foreign bodies with diameters > 12.5 mm (0.49 in.)
- Protected against spraywater at any angle up to 60° to the vertical

Cooling air

The device must be set up in such a way that cooling air can flow freely through the slots in the front and rear panels.

Dust

Ensure that metallic dust is not sucked into the system by the fan, when carrying out grinding for example.

Outdoor operation

The device can be set up and operated outdoors in accordance with IP23 degree of protection. Avoid direct wetting (e.g. from rain).

Mains connection

The devices are designed for the mains voltage specified on the rating plate. The fuse protection required for the mains lead can be found in the "Technical data"

section. If there is no mains cable or mains plug on your device, fit one that conforms to national standards.

NOTE!

An inadequately dimensioned electrical installation can cause serious damage.
The mains lead and its fuse must be dimensioned to suit the local power supply.
The technical data shown on the rating plate applies.

Changing mains voltage (only MVm versions)

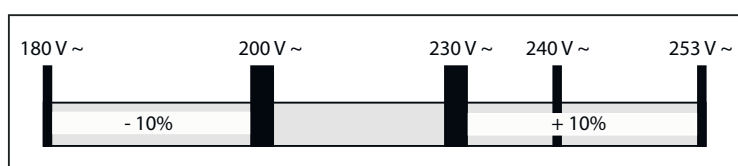
General remarks MVm machines (MultiVoltage manual) are suitable for operation with a mains voltage of 380 - 460V and a mains voltage of 200 - 240V.

NOTE!

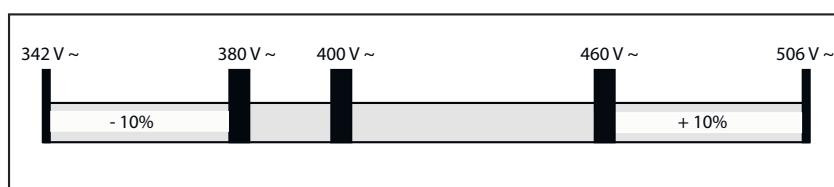
Machines are supplied with the 380 - 460V setting as standard.
If the mains voltage range needs to be reset, this must be done manually.

Detailed information can be found in the "Technical data" chapter.

Mains voltage tolerance range



200 V - 240 V



380 V - 460 V

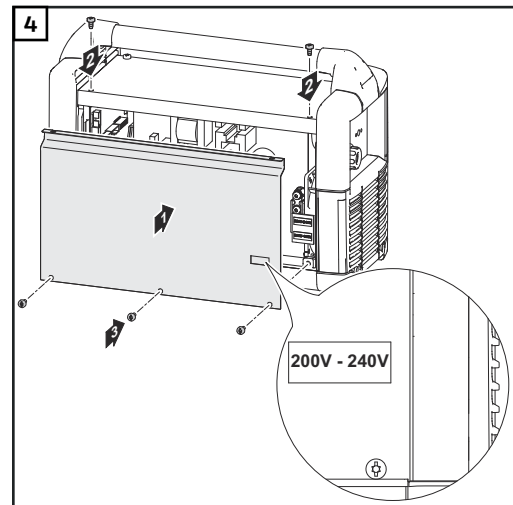
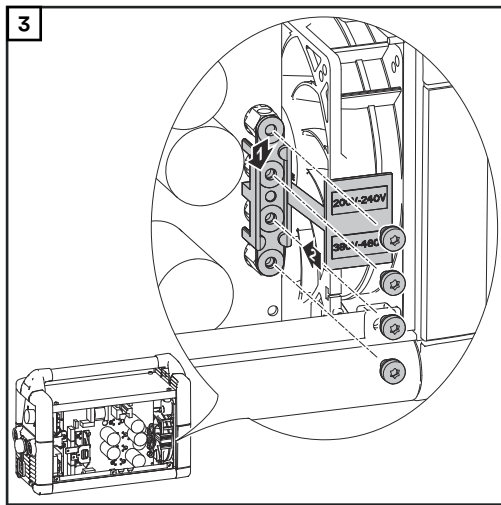
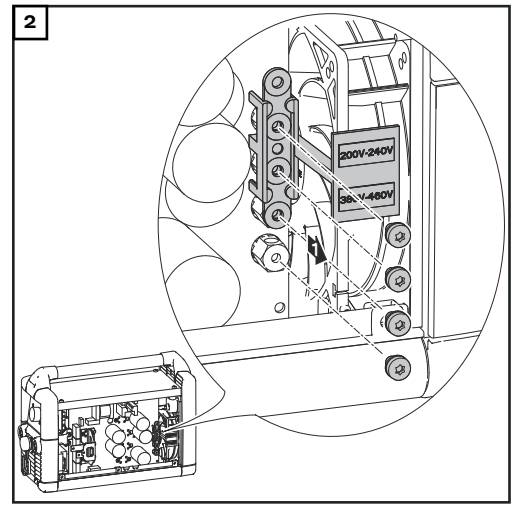
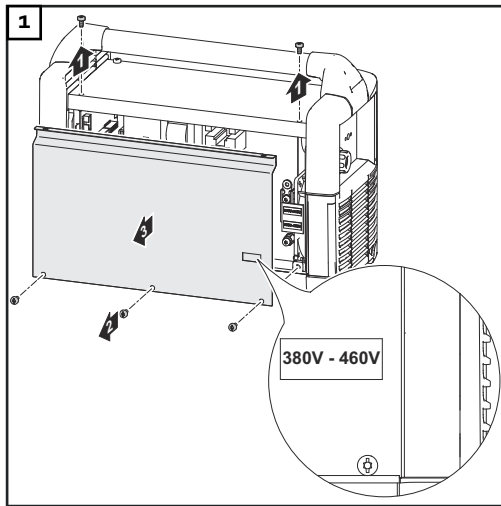
Changing mains voltage

WARNING!

An electric shock can be fatal.

Before opening the device

- ▶ Move the mains switch to the "O" position
- ▶ Unplug the device from the mains
- ▶ Put up an easy-to-understand warning sign to stop anybody inadvertently switching it back on again
- ▶ Using a suitable measuring instrument, check to make sure that electrically charged components (e.g. capacitors) have been discharged



Single-phase operation

MVm machines can be used in single phase operation (e.g. 1x230V) if required. However, this reduces the welding current range. Please see the "Technical Data" section for the relevant performance data. Fit the mains cable and mains plug in accordance with the applicable national standards.

MMA welding

Safety

WARNING!

Danger from incorrect operation.

This can result in serious injury and damage to property.

- ▶ Do not use the functions described here until you have fully read and understood the following documents:
- ▶ These Operating Instructions
- ▶ All the Operating Instructions for the system components, especially the safety rules

WARNING!

Risk of electric shock.

An electric shock can be fatal. If the device is plugged into the mains during installation, there is a high risk of serious injury and damage to property.

- ▶ Only carry out work on the device if the mains switch is in the "O" position.
- ▶ Only carry out work on the charger when it has been disconnected from the mains supply.

Preparations

1. Plug the welding power-lead into the current socket, depending upon which type of electrode is to be used, and latch it by turning it clockwise
2. Plug the grounding cable into the current socket, depending on which type of electrode is to be used, and latch it by turning it clockwise
3. Plug in the mains plug

Selecting the process

CAUTION!

Risk of injury and damage from electric shock.

As soon as the mains switch is in the "I" position, the rod electrode in the electrode holder is LIVE. Make sure that the rod electrode does not touch any persons or electrically conductive or earthed parts (e.g. housing, etc.)

1. Move the mains switch to the "I" position
2. Select one of the following processes using the Process button:



When welding with rutile electrodes, manual metal arc welding with HotStart is recommended.



When welding with basic electrodes, manual metal arc welding with SoftStart is recommended.

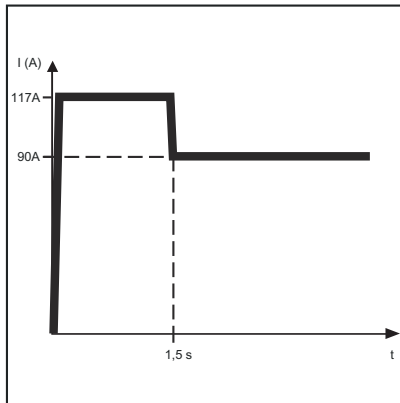


When welding with cellulose electrodes, the manual metal arc welding process with a Cel electrode must always be selected.

Adjusting welding current, igniting the arc

1. Select amperage using welding current adjuster
2. Carry out welding

HotStart function (used with rutile and Cel processes)



Example of HotStart function

Mode of operation:

The welding current is raised to a specific value for 1.5 seconds. This value is around 30% higher than the set welding current

Example: 90 A was set on the adjuster.

The HotStart current is $90 \text{ A} + 30\% = 117 \text{ A}$

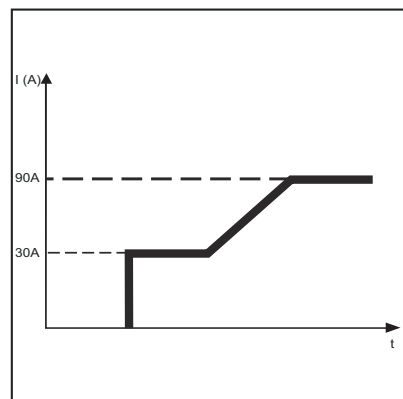
IMPORTANT! If the welding current is set to 192 A or higher, the HotStart current is limited to 250 A.

Benefits:

- Improved ignition properties, even when using electrodes with poor ignition properties
- Better fusion of the base material during the start-up phase, meaning fewer cold-shut defects
- Largely prevents slag inclusions

SoftStart function (used with basic process)

The SoftStart function is intended for basic electrodes. Ignition takes place at a low welding current. Once the arc is stable, the welding current continues to rise until it reaches the welding current command value.



Example of SoftStart function

Benefits:

- Improved ignition properties for electrodes that ignite at low welding currents
- Largely prevents slag inclusions
- Reduces welding spatter

Anti-stick function

As the arc becomes shorter, the welding voltage may drop so far that the rod electrode will tend to stick.

The anti-stick function prevents the electrode from burning out. If the rod electrode begins to stick, the power source switches the welding current off after 1 second. After the rod electrode has been lifted off the workpiece, the welding operation can be continued without difficulty.

Safety

WARNING!

Danger from incorrect operation.

Operating the equipment incorrectly can cause serious injury and damage.

- ▶ Do not use the functions described here until you have read and completely understood these Operating Instructions.
- ▶ Do not use the functions described here until you have fully read and understood all of the Operating Instructions for the system components, in particular the safety rules.

WARNING!

Risk of electric shock.

An electric shock can be fatal. If the device is plugged into the mains during installation, there is a high risk of serious injury and damage to property.

- ▶ Only carry out work on the device if the mains switch is in the "O" position.
- ▶ Only carry out work on the charger when it has been disconnected from the mains supply.

General

NOTE!

Do not use pure tungsten electrodes (colour-coded green) if the TIG welding or TIG pulsed arc welding process is selected.

The following applies to the TP 2500/3500 TIG power source: The complete functional range for TIG welding can only be guaranteed if using the TTG 2200 TCS welding torch.

Preparations

1. Plug the current plug of the TIG welding torch into the "minus" current socket and twist it clockwise to latch it into place
2. Plug the grounding cable into the (+) current socket and turn it clockwise to latch it in place
3. Tool up the welding torch (see the Operating Instructions for the torch)
4. Connect the following to the remote control connection socket (TP 2500/3500 TIG):
 - Remote control
5. Establish a grounding (earthing) connection to the workpiece
6. Attach pressure regulator to the gas cylinder

If using a gas-valve torch:

- Connect the gas hose to the pressure regulator

If using welding torch TTG 2200 TCS (TP 2500/3500 TIG only):

- Connect pressure regulator to the shielding gas connection socket using gas hose
- Tighten the union nut

7. Open the gas cylinder valve
8. Plug in the mains plug

Setting the shielding gas flow rate

CAUTION!

Risk of injury and damage from electric shock.

As soon as the mains switch is in the "I" position, the tungsten electrode of the welding torch is LIVE. Make sure that the tungsten electrode does not touch any persons or electrically conductive or earthed parts (e.g. housing, etc.)

If using a gas-valve torch:

1. Move the mains switch to the "I" position
2. Open the gas cut-off valve on the torch or press the torch trigger and set the desired gas flow rate at the pressure regulator

If using welding torch TTG 2200 TCS (TP 2500/3500 TIG only) to set the gas flow rate:

1. Move the mains switch to the "O" position
2. Press the process button and simultaneously move the mains switch to the "I" position
 - All indicators on the control panel flash
 - The fan switches on
 - The gas solenoid valve picks up
3. Set the desired shielding gas flow rate using the pressure regulator
4. Press the "Process" button
 - The indicators on the control panel stop flashing
 - The fan switches off (if the temperature allows)
 - The gas solenoid valve drops out

IMPORTANT! The test gas flow lasts for a maximum of 15 seconds if it is not interrupted by pressing the Process button.

Selecting the process

1. Select one of the following processes using the Process button:
 - The following indicator lights up if the TIG welding process is selected:



- The following indicator lights up if the TIG pulsed arc process is selected:



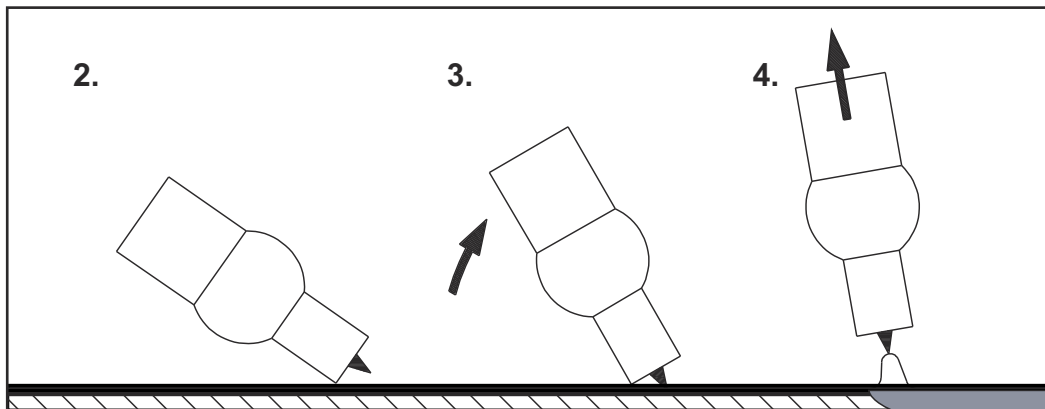
Adjusting welding current, igniting the arc

1. Select amperage using welding current adjuster
2. Place the gas nozzle in the ignition location so that there is a gap of 2 - 3 mm (0.08 - 0.12 in.) between the tungsten tip and the workpiece Gap exists
3. Gradually tilt up the welding torch until the tungsten electrode touches the workpiece

IMPORTANT! As long as the torch is touching the workpiece, the gas pre-flow takes place automatically.

If the torch and workpiece remain in contact for more than 3 seconds, the welding current switches off automatically. Place the gas nozzle on the ignition location again.

4. Raise the torch and tilt it into the normal position - the arc now ignites
5. Carry out welding



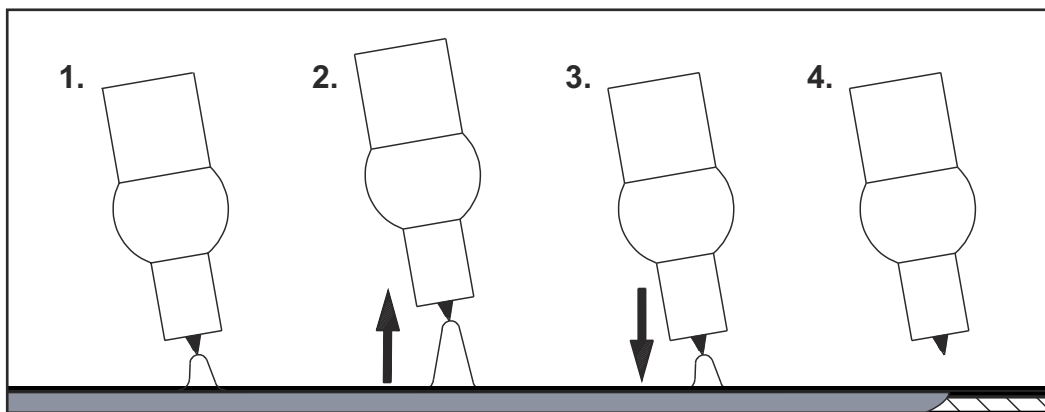
TIG Comfort Stop function

The "TIG Comfort Stop" function (TCS) is only available with the TP 2500/3500 TIG power source. The TIG-Comfort-Stop function is deactivated as standard. Activating and setting the TIG Comfort Stop function is described in the "The Setup menu" section.

If the TIG Comfort Stop function is deactivated, end crater filling through current decrease or gas shielding of the end crater does not occur. To finish welding lift the torch away from the workpiece until the arc goes out.

To finish welding with activated TCS function, proceed as follows:

1. Welding
2. During welding, raise the welding torch
 - The arc length is increased significantly
3. Lower the welding torch
 - The arc length is decreased significantly
 - This triggers the TIG Comfort Stop function
4. Keep the welding torch at the same height
 - The welding current continuously decreases until it reaches the minimum welding current (10 A) (downslope)
 - The minimum welding current is held constant for 0.2 seconds
 - Arc goes out
5. Wait for the gas post-flow time to finish, and lift the torch off the workpiece



Downslope:

The downslope depends on the welding current selected and cannot be adjusted. The duration of the downslope between the following values must be extrapolated.

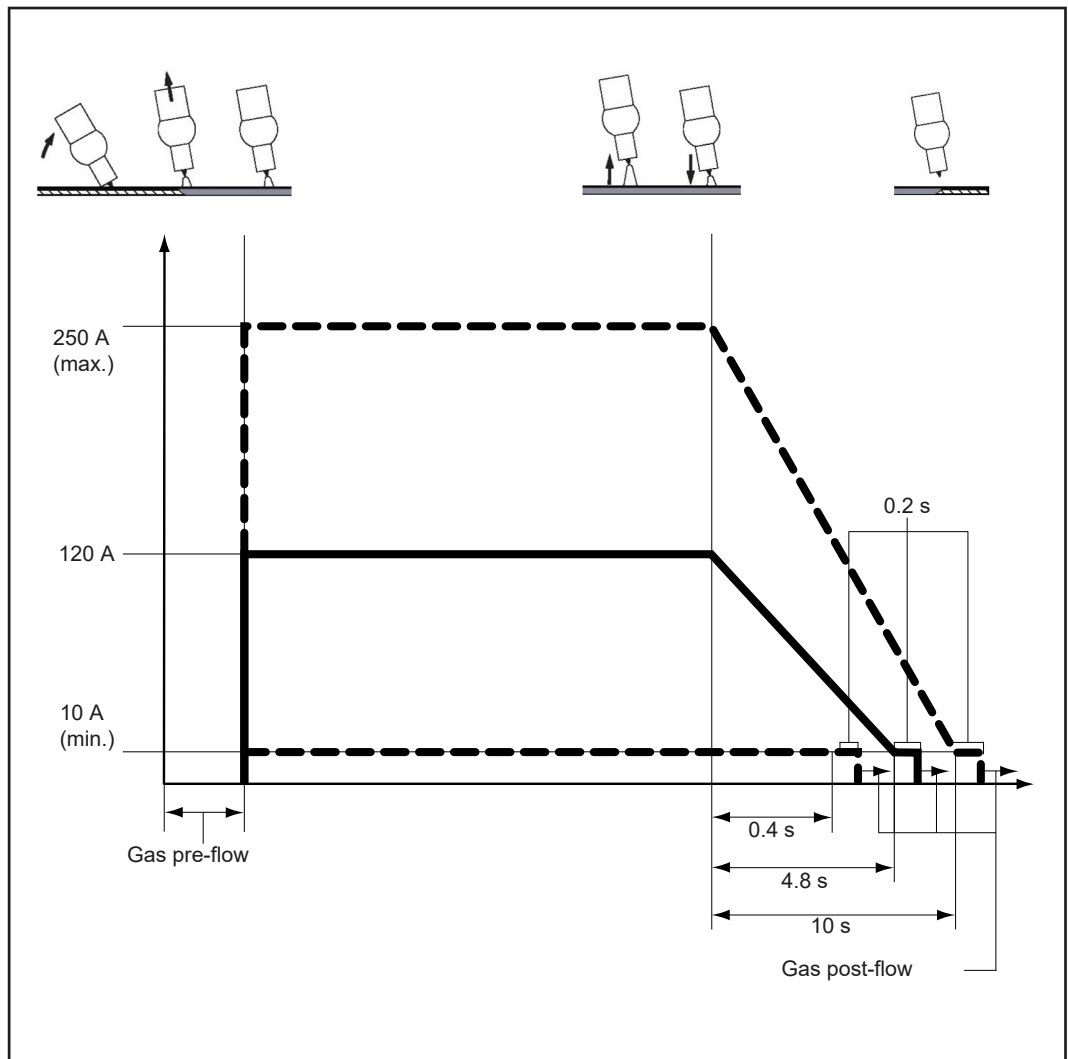
- Downslope with low welding current (10 A): 0.4 seconds
- Downslope with maximum welding current (250 A): 10 seconds

Gas post-flow time:

The gas post-flow time depends on the welding current selected and cannot be adjusted.






- Gas post-flow time with minimum welding current (10 A): 3 seconds
- Gas post-flow time with maximum welding current (250 A): 15 seconds

The following diagram shows the welding current sequence and the gas flow when the TIG Comfort Stop function is activated:



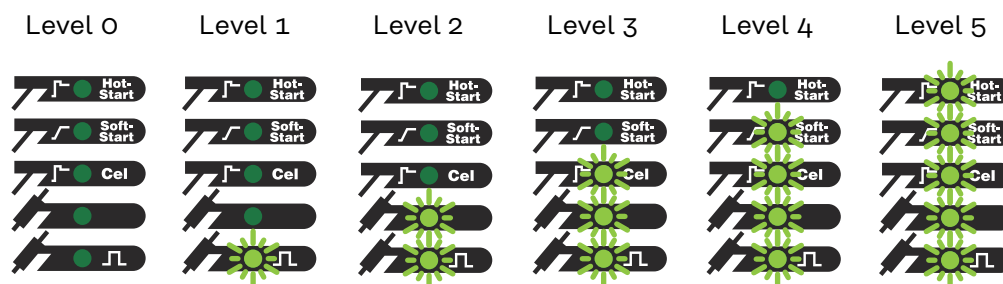
TIG Comfort Stop: Welding current and gas flow

The Setup menu

Setting options	Welding process	Settable parameters	Factory setting
		Arc-force dynamic	Level 2
		Arc-force dynamic	Level 2
		Cel characteristic and arc-force dynamic	Level 2
		TIG Comfort Stop	Level 0
		Pulse frequency (TP 2500/3500 TIG only)	Level 1

Functional principle

The parameters can be set at 4 levels (TP 2500/3500) or 5 levels (TP 2500/3500 TIG). The number of indicators lit corresponds to the level reached.



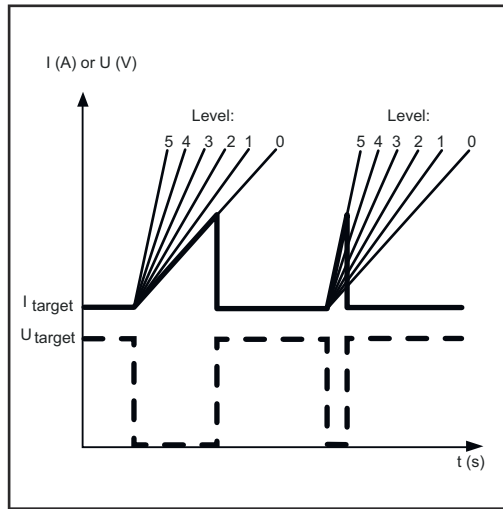
Setting parameters

To alter a parameter setting, proceed as follows:

- Using the "Process" button, select the desired parameter and hold the Process button down.
 - the set level is indicated for 1 second
 - while the Process button is held down, the set value is raised one level every second
- Release the process button once the desired level is set.
- The setting is now saved
- The set process is displayed

IMPORTANT! The welding parameters are retained even if the mains plug is disconnected.

Arc-force dynamic parameter



Arc-force dynamic parameter setting

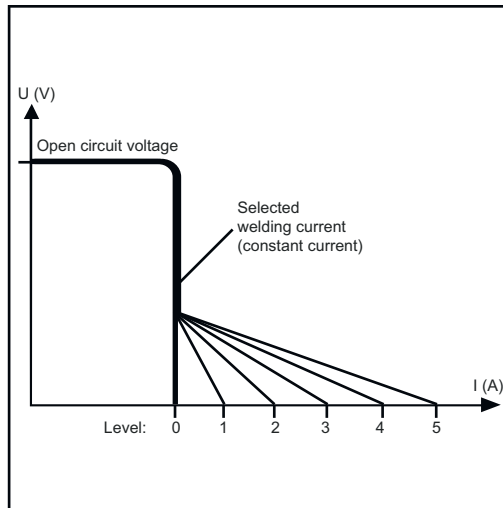
The purpose of the arc-force dynamic parameter is to influence the short-circuit amperage at the moment of droplet transfer.

If the rod electrode has a tendency to stick, adjust the arc-force dynamic parameter to a higher level.

Level 0 produces a particularly soft, low-spatter arc. Level 4 or 5 produces a particularly hard and stable arc.

Factory setting: Level 2

Cel characteristic parameter



Cel characteristic parameter setting

The Cel characteristic parameter sets the slope for the falling welding current characteristic. When welding cellulose electrodes, the characteristic slope is the most important criterion for the weld properties.

If the cellulose electrode has a tendency to stick, adjust the characteristic parameter to a higher level (flat characteristic).

Factory setting: Level 2

TIG Comfort Stop parameter

The "TIG Comfort Stop" parameter is only available with the TP 2500/3500 TIG power source. On the TP 2500/3500 power source, the response at the end of welding is the same as the response with the TIG Comfort Stop function deactivated.

IMPORTANT! The instructions for setting the TIG Comfort Stop parameter also apply to the "TIG pulsed arc welding" process (TP 2500/3500 TIG only).

The TIG Comfort Stop parameter determines how high the torch must be temporarily raised to trigger the TIG Comfort Stop function. If the welding process is frequently stopped unintentionally, increase the value of the TIG-Comfort-Stop parameter.

Level	Increase in arc size before function is triggered
5	Very large increase required
4	Large increase required
3	Normal increase required

Level	Increase in arc size before function is triggered
2	Small increase required
1	Very small increase required
0	TIG Comfort Stop deactivated (factory setting)

Pulsing frequency parameter

The frequency parameter is only available on the TP 2500/3500 TIG power source and is used to set the frequency of the pulsed arc.

The pulsed arc frequency is one of the most important criterion for the TIG pulsed arc welding properties.

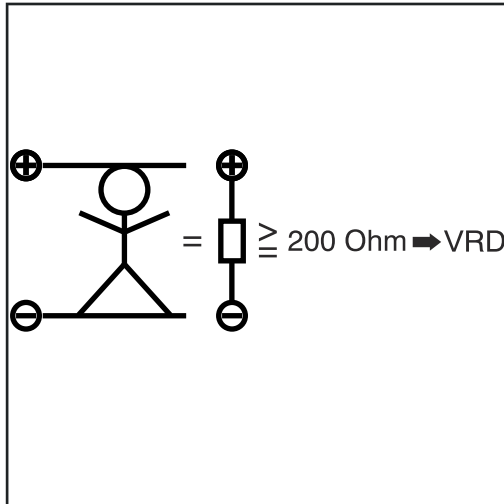
Level	Pulse frequency
5	60 Hz
4	10 Hz
3	4 Hz
2	2 Hz
1	1 Hz (factory setting)
0	0.5 Hz

Voltage Reduction Device (VRD versions only)

General

A Voltage Reduction Device (VRD) is an optional safety device for reducing the voltage. As far as possible, VRD prevents output voltages at the current sockets that may pose a danger to persons.

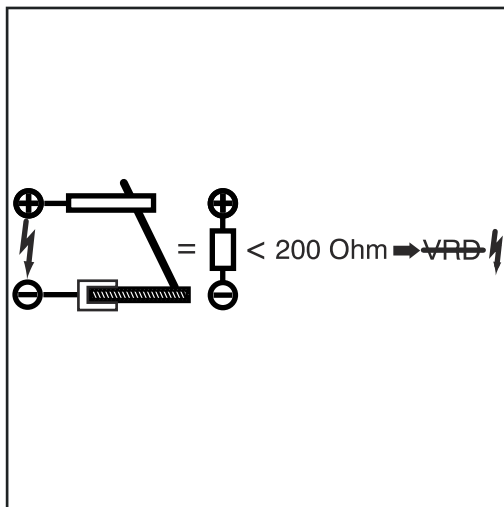
Safety principle



VRD is active

Welding circuit resistance is greater than the minimum human body resistance (greater than or equal to 200 Ohm):

- VRD is active
- Open circuit voltage is limited to 12 V (otherwise 90 V)
- There is no risk in unintentionally touching both welding sockets at the same time



VRD is not active

Welding circuit resistance is less than the minimum human body resistance (less than 200 Ohm):

- VRD is inactive
- Output voltage not restricted in order to ensure sufficient welding power
- Example: Start of welding

IMPORTANT!

Within 0.3 seconds of the end of welding

- VRD is active again
- The output voltage is limited to 12 V again

Safety

 **WARNING!**

Danger from electrical current.

This can result in serious personal injury and damage to property.

- ▶ Before starting work, switch off all devices and components involved, and disconnect them from the grid.
- ▶ Secure all devices and components involved so they cannot be switched back on.
- ▶ After opening the device, use a suitable measuring instrument to check that electrically charged components (such as capacitors) have been discharged.

 **WARNING!**

Danger due to insufficient ground conductor connection.

This can result in serious personal injury and damage to property.

- ▶ The housing screws provide a suitable ground conductor connection for grounding the housing.
- ▶ The housing screws must not under any circumstances be replaced by other screws without a reliable ground conductor connection.

Fault diagnosis

No welding current

Mains switch on, indicator for selected mode does not illuminate

Cause: Break in the mains lead

Remedy: Check mains lead and mains voltage

No welding current

Device switched on, indicator for the selected welding process is lit

Cause: There is a break in the welding cable connections

Remedy: Check the plug connections

Cause: Poor or no earth

Remedy: Establish a connection to the workpiece

No welding current

Device switched on, indicator for the selected welding process is lit, error indicator lit

Cause: Duty cycle exceeded - device overloaded - fan running

Remedy: Keep within duty cycle

Cause: Thermostatic automatic circuit breaker has switched off the device

Remedy: Wait until the power source comes back on automatically at the end of the cooling phase (do not switch off the device - the fan will cool it down)

Cause: The fan in the power source is faulty

Remedy: Contact After-Sales Service

Cause: Insufficient cooling air intake

Remedy: Ensure adequate air supply

Cause: Air filter is dirty

Remedy: clean air filter

Cause: Power module error

Remedy: Turn off the device, then turn it on again
If the error occurs frequently, contact After-Sales Service

Poor ignition properties during MMA welding

Cause: Incorrect welding process selected

Remedy: Select the appropriate welding process

In some cases, arc breaks during welding

Cause: TIG Comfort Stop parameter value set too low for selected TIG welding process

Remedy: Adjust the TIG Comfort Stop parameter to a higher value in the Setup menu

Cause: Electrode (e.g. grooved electrode) voltage too high

Remedy: If possible, use an alternative electrode or a power source with more welding power

Cause: Incorrect welding process selected

Remedy: Select "TIG welding" or "TIG pulsed arc welding" process

Rod electrode tends to stick

Cause: Value of arc-force dynamic parameter (MMA welding) set too low

Remedy: Increase value of arc-force dynamic parameter

Mains fuse or automatic circuit breaker trips

Cause: Mains fuse underrated/incorrect circuit breaker

Remedy: Fuse mains correctly (see Technical data)

Cause: Mains fuse trips in open circuit

Remedy: Contact After-Sales Service

LED for set process is flashing

Cause: Single-phase operation with a welding current greater than 140A

Remedy: Select a welding current less than 140A and continue welding

Cause: Phase failure

Remedy: Check the mains lead

Poor weld properties

(severe spattering)

Cause: Incorrect electrode polarity

Remedy: Reverse electrode polarity (refer to manufacturer's instructions)

Cause: Poor ground earth connection

Remedy: Fasten earthing clamps directly to workpiece

Cause: Setup parameters not ideal for selected welding process

Remedy: Select best setting in Setup menu for selected process

TIG welding

Tungsten electrode melting - tungsten inclusions in base material during the ignition phase

Cause: Incorrect tungsten electrode polarity

Remedy: Connect TIG welding torch to negative pole

Cause: Incorrect (or no) shielding gas

Remedy: Use inert shielding gas (argon)

Cause: Incorrect welding process selected

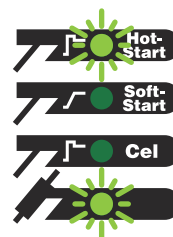
Remedy: Select TIG welding or TIG pulsed arc welding process (TP 2500/3500 TIG)

Status indicators**Open circuit**

Indicators shown on the right light up, VRD indicator flashes red

Cause: Output voltage is greater than 110V

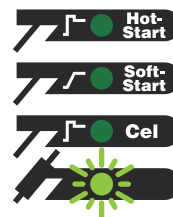
Remedy: Switch machine off and on again;
if fault keeps recurring, have device serviced

**Mains undervoltage or mains overvoltage**

Indicators shown on the right light up, VRD indicator flashes red

Cause: The mains voltage is outside the tolerance range

Remedy: Check mains voltage, switch machine off and on again; if error keeps occurring, have machine serviced

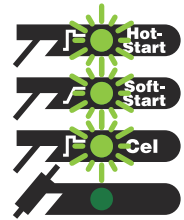


Ground current (earth current watchdog option only)

Indicators shown on the right light up, VRD indicator flashes red

Cause: Current flowing via device earth

Remedy: Check ground earth connection to workpiece, switch machine off and on again; if error keeps recurring, have machine serviced

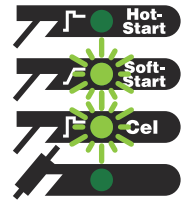


Short circuit after switching on the machine

Indicators shown on the right light up, VRD indicator flashes red

Cause: Short circuit between electrode holder and earthing clamp

Remedy: Rectify short circuit, switch machine off and on again; if error keeps recurring, have machine serviced

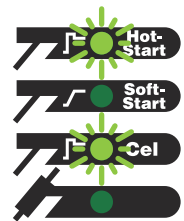


Current limit

Indicators shown on the right light up, VRD indicator flashes red

Cause: Internal error

Remedy: Switch machine off and on again; if fault keeps recurring, have device serviced

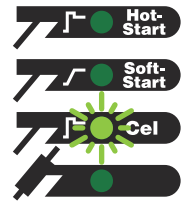


ILZ

Indicators shown on the right light up, VRD indicator flashes red

Cause: Internal error

Remedy: Switch machine off and on again; if fault keeps recurring, have device serviced

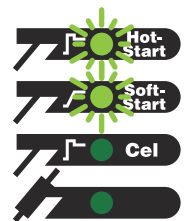


Asymmetry (during operation)

Indicators shown on the right light up, VRD indicator flashes red

Cause: Internal error

Remedy: Switch machine off and on again; if fault keeps recurring, have device serviced

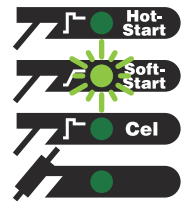


Asymmetry (when switching on)

Indicators shown on the right light up, VRD indicator flashes red

Cause: Internal error

Remedy: Switch machine off and on again; if fault keeps recurring, have device serviced

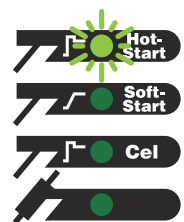


Primary current

Indicators shown on the right light up, VRD indicator flashes red

Cause: Internal error

Remedy: Switch machine off and on again; if fault keeps recurring, have device serviced



Care, maintenance and disposal

General Under normal operating conditions, the power source requires only a minimum of care and maintenance. However, some important points must be noted to ensure that the welding system remains in a usable condition for many years.

WARNING!

An electric shock can be fatal.

Before opening the device

- ▶ Move the mains switch to the "O" position
- ▶ Unplug the device from the mains
- ▶ Put up an easy-to-understand warning sign to stop anybody inadvertently re-connecting it
- ▶ Using a suitable measuring instrument, check to make sure that electrically charged components (e.g. capacitors) have been discharged

- At every start-up**
- Check mains plug, mains cable, welding torch, interconnecting hosepack and grounding (earthing) connection for damage
 - Check that the device has an all-round clearance of 0.5 m (1ft. 8in.) to ensure that cooling air can flow and escape unhindered

NOTE!

Air inlets and outlets must never be covered, not even partially.

- Every 2 months**
- clean air filter

- Every 6 months**
- Dismantle device side panels and clean inside of device with dry reduced compressed air

NOTE!

Risk of damage to electronic components.

Do not bring the air nozzle too close to electronic components.

- If a lot of dust has accumulated, clean the cooling-air ducts

Disposal Dispose of in accordance with the applicable national and local regulations.

Average consumption values during welding

Average wire electrode consumption during MIG/MAG welding

Average wire electrode consumption at a wire speed of 5 m/min			
	1.0 mm wire electrode diameter	1.2 mm wire electrode diameter	1.6 mm wire electrode diameter
Steel wire electrode	1.8 kg/h	2.7 kg/h	4.7 kg/h
Aluminium wire electrode	0.6 kg/h	0.9 kg/h	1.6 kg/h
CrNi wire electrode	1.9 kg/h	2.8 kg/h	4.8 kg/h

Average wire electrode consumption at a wire speed of 10 m/min			
	1.0 mm wire electrode diameter	1.2 mm wire electrode diameter	1.6 mm wire electrode diameter
Steel wire electrode	3.7 kg/h	5.3 kg/h	9.5 kg/h
Aluminium wire electrode	1.3 kg/h	1.8 kg/h	3.2 kg/h
CrNi wire electrode	3.8 kg/h	5.4 kg/h	9.6 kg/h

Average shielding gas consumption during MIG/MAG welding

Wire electrode diameter	1.0 mm	1.2 mm	1.6 mm	2.0 mm	2 x 1.2 mm (TWIN)
Average consumption	10 l/min	12 l/min	16 l/min	20 l/min	24 l/min

Average shielding gas consumption during TIG welding

Gas nozzle size	4	5	6	7	8	10
Average consumption	6 l/min	8 l/min	10 l/min	12 l/min	12 l/min	15 l/min

Technical data

Safety

NOTE!

An inadequately dimensioned electrical installation can cause serious damage.
The mains lead and its fuse protection must be rated accordingly. The technical data shown on the rating plate applies.

Generator-powered operation

The power sources in the TP 2500/3500 series are totally generator-compatible, provided that the maximum apparent power delivered by the generator is at least 14 kVA for the TP 2500 or 22 kVA for the TP 3500.

TransPocket 2500, 2500 RC, 2500 TIG

Mains voltage (U_1)	3 x	380 V	400 V	460 V
Max. effective primary current ($I_{1\text{eff}}$)		10.5 A	10.1 A	8.6 A
Max. primary current ($I_{1\text{max}}$)		17.7 A	17.0 A	14.6 A
Mains fuse protection				16 A slow-blow
Mains voltage tolerance				-10% / + 10%
Grid frequency				50/60 Hz
Cos phi (1)				0.99
Recommended residual-current circuit breaker				Type B
Welding current range (I_2)				
MMA				15 - 250 A
TIG				15 - 250 A
Welding current at 10 min/40 °C (104 °F)			35%	60% 100%
			250 A	200 A 175 A
Output voltage range according to standard characteristic (U_2)				
MMA				20.6 - 30 V
TIG				10.6 - 20 V
Open circuit voltage (U_0 peak, U_0 r.m.s)				88 V
Open circuit voltage VRD				12 V
Degree of protection				IP 23
Type of cooling				AF
Overvoltage category				III
Pollution level according to IEC60664				3
Safety symbols				S, CE
Dimensions l x w x h				430 x 180 x 320 mm 16.9 x 7.1 x 12.6 in.

Weight	12.5 kg 27.5 lb.
Max. shielding gas pressure (TIG)	12.5 bar kg 72.5 psi.
Max. noise emission (LWA)	74 dB (A)
Idle state power consumption at 400 V	23.4 W
Power source efficiency at 250 A / 30 V	87%

**TransPocket
2500 MVm, 2500
TIG MVm**

Mains voltage (U_1)	3 x	200 V	230 V
Max. effective primary current (I_{1eff})		16.2 A	15.9 A
Max. primary current (I_{1max})		27.4 A	26.8 A
Mains fuse protection		20 A slow-blow	
Mains voltage (U_1)	3 x	380 V	400 V 460 V
Max. effective primary current (I_{1eff})		10.5 A	10.1 A 8.6 A
Max. primary current (I_{1max})		17.7 A	17.0 A 14.6 A
Mains fuse protection		16 A slow-blow	
Mains voltage tolerance		-10% / + 10%	
Grid frequency		50/60 Hz	
Cos phi (1)		0.99	
Recommended residual-current circuit breaker		Type B	
Welding current range (I_2)			
MMA		15 - 250 A	
TIG		15 - 250 A	
Welding current at 10 min/40 °C (104 °F)		35%	60% 100%
		250 A	200 A 175 A
Output voltage range according to standard characteristic (U_2)			
MMA		20.6 - 30 V	
TIG		10.6 - 20 V	
Open circuit voltage (U_o peak, U_o r.m.s)		88 V	
Open circuit voltage VRD		12 V	
Degree of protection		IP 23	
Type of cooling		AF	
Overvoltage category		III	
Pollution level according to IEC60664		3	
Safety symbols		S, CE, CSA	

Dimensions l x w x h	430 x 180 x 320 mm 16.9 x 7.1 x 12.6 in.
Weight	12.5 kg 27.5 lb.
Max. shielding gas pressure (TIG)	12.5 bar kg 72.5 psi.
Max. noise emission (LWA)	74 dB (A)
Idle state power consumption at 400 V	23.4 W
Power source efficiency at 250 A / 30 V	87%

**TransPocket
3500, 3500 RC,
3500 TIG**

Mains voltage (U_1)	3 x	380 V	400 V	460 V
Max. effective primary current ($I_{1\text{eff}}$)		17.5 A	16.8 A	15.1 A
Max. primary current ($I_{1\text{max}}$)		29.5 A	28.3 A	25.4 A
Mains fuse protection				25 A slow-blow
Mains voltage tolerance				-10% / + 10%
Grid frequency				50/60 Hz
Cos phi (1)				0.99
Recommended residual-current circuit breaker				Type B
Welding current range (I_2)				
MMA				10 - 350 A
TIG				10 - 350 A
Welding current at 10 min/40 °C (104 °F)		35%	60%	100%
		350 A	280 A	230 A
Output voltage range according to standard characteristic (U_2)				
MMA				20.4 - 34 V
TIG				10.4 - 24 V
Open circuit voltage (U_o peak, U_o r.m.s)				88 V
Open circuit voltage VRD				12 V
Degree of protection				IP 23
Type of cooling				AF
Overvoltage category				III
Pollution level according to IEC60664				3
Safety symbols				S, CE
Dimensions l x w x h				500 x 190 x 380 mm 19.68 x 7.48 x 14.96 in.
Weight				20.1 kg 44.3 lb.

Max. shielding gas pressure (TIG)	12.5 bar kg 72.5 psi.
Max. noise emission (LWA)	70 dB (A)
Idle state power consumption at 400 V	25.5 W
Power source efficiency at 350 A / 34 V	86%

**TransPocket
3500 MVm, 3500
TIG MVm**

Mains voltage (U_1)	3 x	200 V	230 V
Max. effective primary current (I_{1eff})		27 A	24.7 A
Max. primary current (I_{1max})		45.6 A	41.8 A
Mains fuse protection		35 A slow-blow	
Mains voltage (U_1)	3 x	380 V	400 V 460 V
Max. effective primary current (I_{1eff})		17.5 A	16.8 A 15.1 A
Max. primary current (I_{1max})		29.5 A	28.3 A 25.4 A
Mains fuse protection		25 A slow-blow	
Mains voltage tolerance		-10% / + 10%	
Grid frequency		50/60 Hz	
Cos phi (1)		0.99	
Recommended residual-current circuit breaker		Type B	
Welding current range (I_2)			
MMA		10 - 350 A	
TIG		10 - 350 A	
Welding current at 10 min/40 °C (104 °F)		35%	60% 100%
		350 A	280 A 230 A
Output voltage range according to standard characteristic (U_2)			
MMA		20.4 - 34 V	
TIG		10.4 - 24 V	
Open circuit voltage (U_o peak, U_o r.m.s)		88 V	
Open circuit voltage VRD		12 V	
Degree of protection		IP 23	
Type of cooling		AF	
Overvoltage category		III	
Pollution level according to IEC60664		3	
Safety symbols		S, CE, CSA	
Dimensions l x w x h		500 x 190 x 380 mm 19.68 x 7.48 x 14.96 in.	

Weight	20.1 kg 44.3 lb.
Max. shielding gas pressure (TIG)	12.5 bar kg 72.5 psi.
Max. noise emission (LWA)	70 dB (A)
Idle state power consumption at 400 V	25.5 W
Power source efficiency at 350 A / 34 V	86%

Overview with critical raw materials, year of production of the device

Overview with critical raw materials:

An overview of which critical raw materials are contained in this device can be found at the following Internet address.

www.fronius.com/en/about-fronius/sustainability.

To calculate the year of production of the device:

- Each device is provided with a serial number
- The serial number consists of 8 digits - for example 28020099
- The first two digits give the number from which the year of production of the device can be calculated
- This figure minus 11 gives the year of production
 - For example: Serial number = **28**020065, calculation of the year of production = **28** - 11 = 17, year of production = 2017



Fronius International GmbH

Froniusstraße 1
4643 Pettenbach
Austria
contact@fronius.com
www.fronius.com

At www.fronius.com/contact you will find the contact details
of all Fronius subsidiaries and Sales & Service Partners.